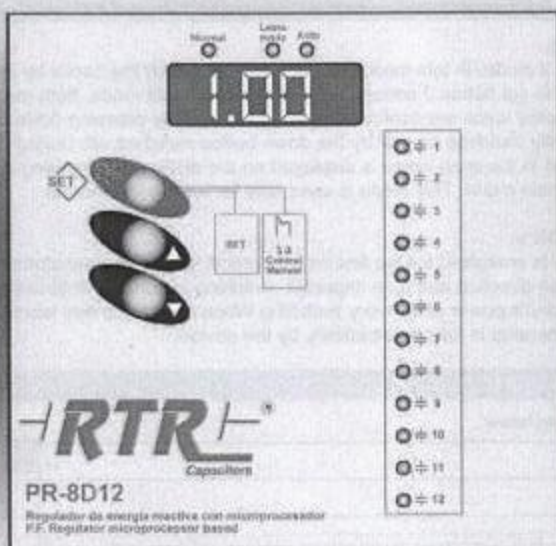


RTR

Energía

POWER FACTOR CONTROLLER

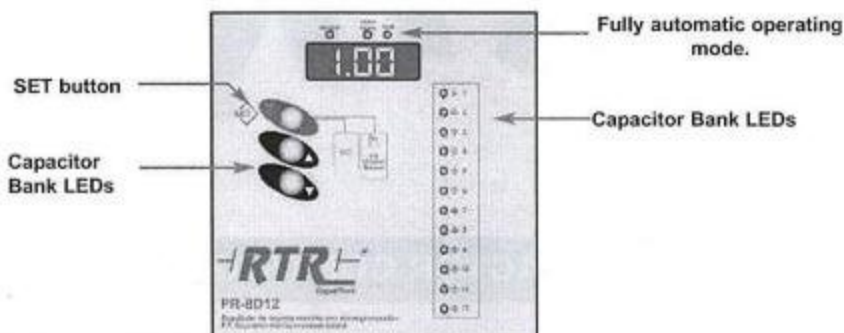


PR-8D SERIES



2008

When the displayed value has no sign, this means the value is Inductive and when it is negative, "-", signed, this means value is capacitive.



OPERATING MODES

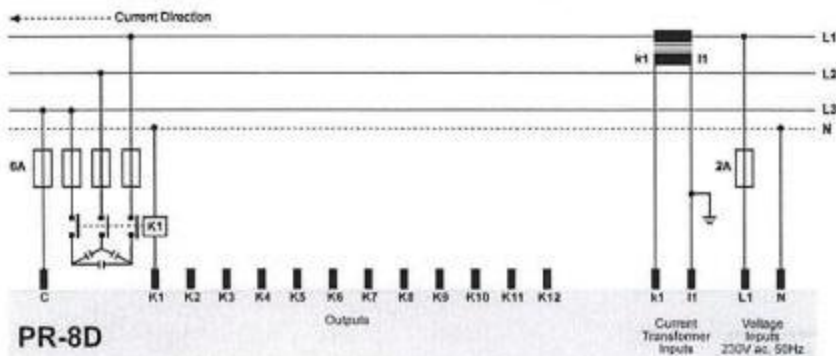
MANUAL MODE:

This is the manual mode. In this mode, device does not switch the banks by its own. It is accessed by pressing down the set button 3 seconds in Main Menu. In this mode, both mode leds are off, 'EL' text and current display value are continuously interchanged. By pressing down the up button, capacitors are sequentially switched on and by the down button switched off. During the process, the last parameter accessed in the main menu is displayed on the display. By pressing down the set button, system returns to main menu. This mode is used only for testing the system.

LEARNING MODE :

When the device is energised for the first time, it detects the current transformer polarity even if connected in reverse direction and then capacitor switching is done as 'first-in-first-out'. Device starts to calculate each bank's power after every switching. When the device has learned all the capacitor banks' powers, it operates in fully automatically by the device.

CONNECTION DIAGRAM



The fuses shown in the connection diagram must be FF type and must have specified current values. Chosen current transformers' real value must not be less than drawn current and they must be X/5 Amps. It must be stated on the switches that are connected to supply voltage lines of the device that they will be used to disconnect the device from the power line.

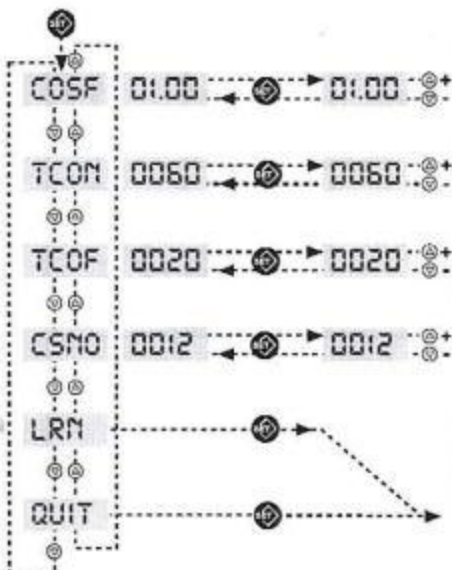
Before making the connections, the warnings and cautions in section 2 must be read.

SET UP

► **SET:**

The parameters to be set are under this menu. Desired parameter can be accessed by using the direction buttons. On the display, parameter name and numerical value are shown by interchanging. To change the parameter values, press the set button, using the direction buttons reach the desired value. By pressing down the set button, displayed value is stored and the menu is directed to interchange screen. To quit from set menu, advance to 'quit' section and press Set button on it.

COSF: It is the section that Cosf value is set in the range of $\pm 0.80 - 1.00$
Default value is 1.00



tCON: (Max. capacitor bank switch on time) It can be adjusted in the range of 3-120 seconds.
Default value is 15 sec.

tCOF: (Max. capacitor bank switch off time) It can be adjusted in the range of 10-60 secs.
Default value is 10 sec.

CSno: It is the section that used to set used capacitor step number. Capacitor step number is set in the range of 3-8/12. Parameter name and capacitor step number are shown by interchanging on the screen.
Default value is 12

Lrn: When the newcapacitor/s are connected the system, you should start to learning mode. Device starts to calculate each bank's power after every switching. When the device has learned all the capacitor banks' powers, it operates in fully automatically by the device.

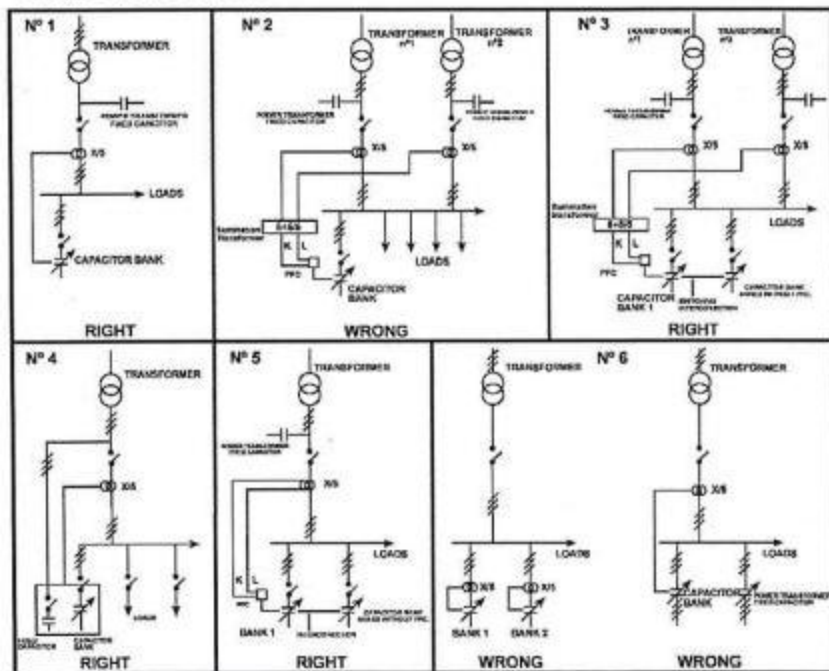
quit: Pressing down the set button, device returns to main menu.

TECHNICAL DATA

•Rated Voltage(Un)	(Phase-Neutral) 220VAC,
•Operating Range	(0.8 - 1. 1) x Un
•Operating Frequency	50 Hz
•Power Consumption	< 10 VA
•Measurement Inputs	
•Power Consumption:	< 1 VA
•Contact Current	Max. 3 A / 240 VAC
•Current Measurement Range	0.1-6 Amp AC
•Protection ClassIP 20
•Connector Protection ClassIP 00
•Display	4 Digits LED Display
•Current Transformer Ratio	5/5... 10000/ 5 A
•Ambient Temperature	-5°C...+50°C
•Connection Type	To front panel tap
•Dimensions:144x144x40 mm



CONNECTION DIAGRAMS



www.rtr.es

SPAIN

RTR Energia, S.L.
Gavilanes, 11 Bis
Pol. Ind. Pinto-Estación
28320 PINTO (Madrid)
Tel.: 34 91 691 66 12
Fax: 34 91 691 22 57
e-mail: info@rtr.es

CHILE

RTR DNA Chile, S.A.
La Estera nº 668
Panamericana Norte, Km 17
Loteo Valle Grande - Lampa, CHILE
Tel.: 56 2 328 44 00
Fax: 56 2 738 69 11
e-mail: dnachile@rtr.cl

RTR Energia S.L. keeps the right to modify in any form or by any means all the information published in this catalogue without prior notice. Any accepted material to be returned, will be paid in origin.

If a devolution is produced by any cause NOT imputable to RTR Energia S.L. the total sale price of the material subject to devolution will be depreciated 10% in concept of expensons.

In those cases in which any material is stored for checking or reparation, the customer must inform by writing, within three months after RTR Energia S.L. sends the appropriate budget or report regarding these materials, about the actions to undertake on such items. Otherwise, RTR Energia S.L. keeps the right to destroy these materials.